

POS.	NUMBER	PCS	NAME	REV.	MATERIAL	CLASS
1	30-14346	1	Bench Press OG	A06		MO



30-14771

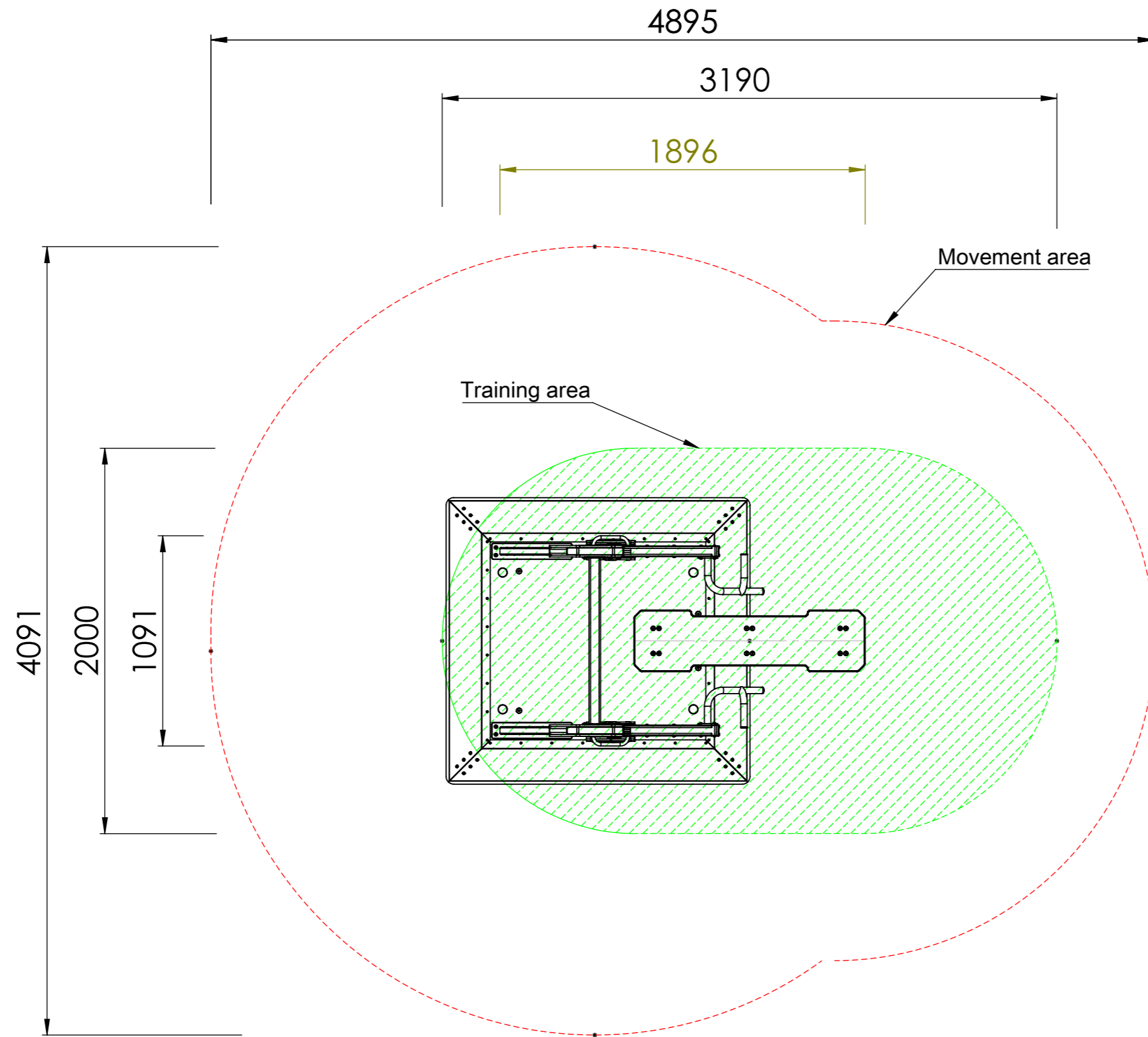
Mass 264.85

Rev A00

SCALE:1:15

A3 Sheet 1 of 3

20.08.2024



POS.	NUMBER	PCS	NAME	REV.	MATERIAL	CLASS
1	30-14346	1	Bench Press OG	A06		MO



30-14771

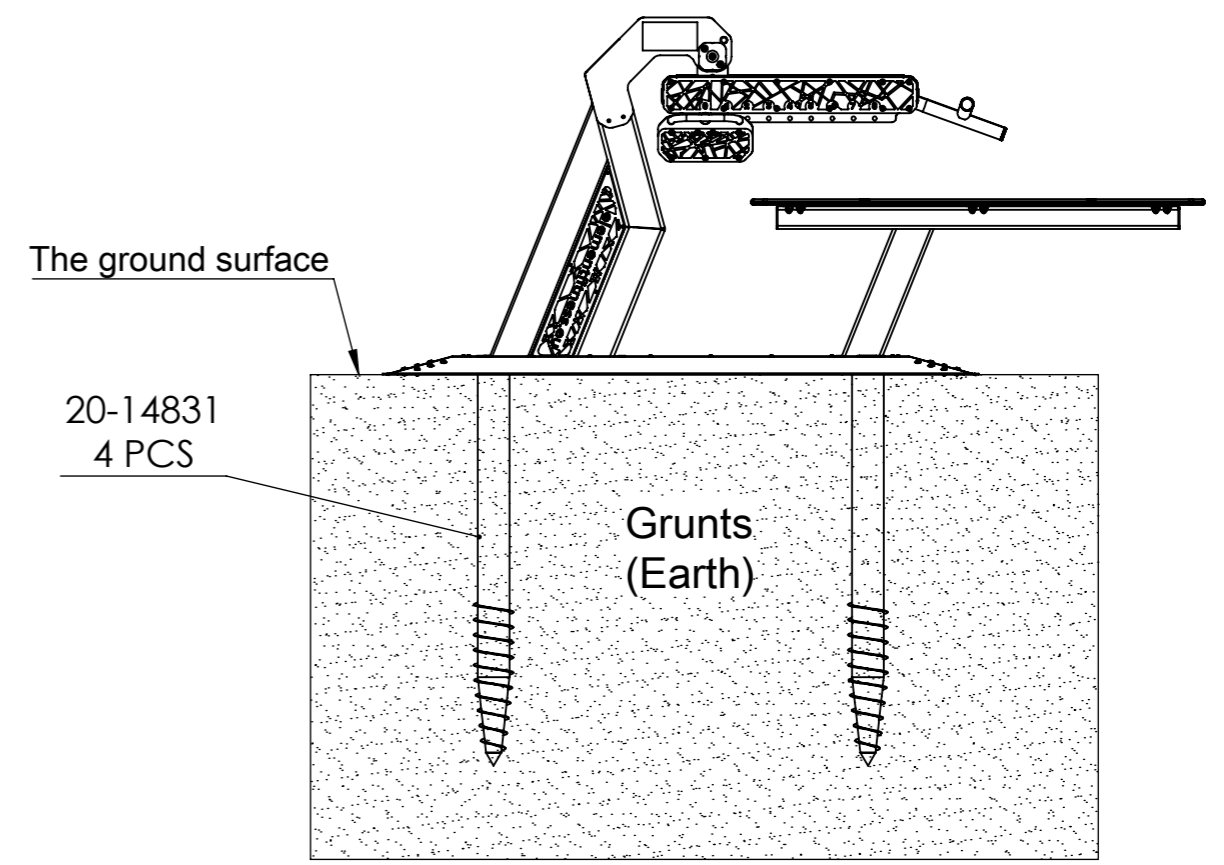
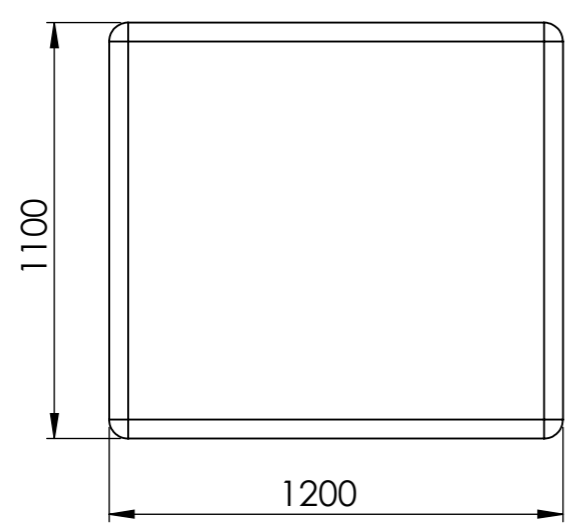
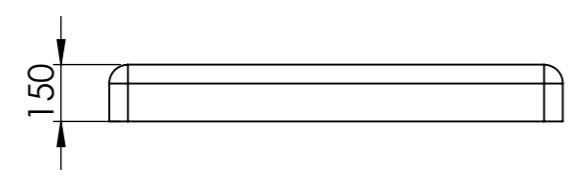
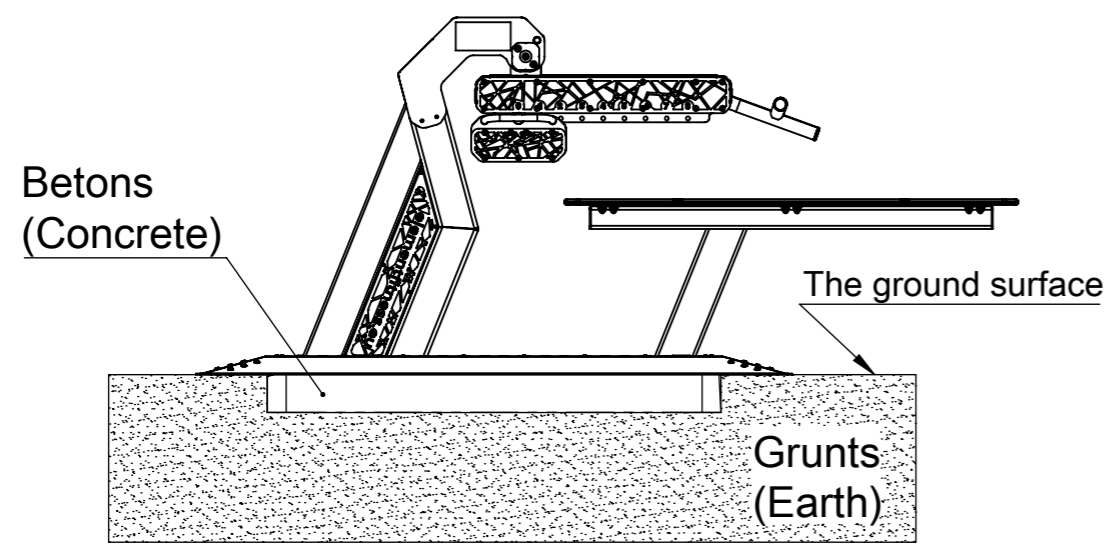
Mass 264.85

Rev A00

SCALE:1:25


A3 Sheet 2 of 3

20.08.2024



- 20-14831 (4 pieces) is not included in the price and must be ordered separately.

- The concrete base is not included in the price and must be ordered separately or made at the installation site.

	<b>30-14771</b>	Mass	264.85
		Rev	A00
<small>SCALE:1:20</small>		<small>A3</small>	<small>Sheet 3 of 3</small>
			<small>20.08.2024</small>