

POS.	NUMBER	PCS	NAME	REV.	MATERIAL	CLASS
1	30-14525	1	Seated Row OG	A05		MO



30-14773

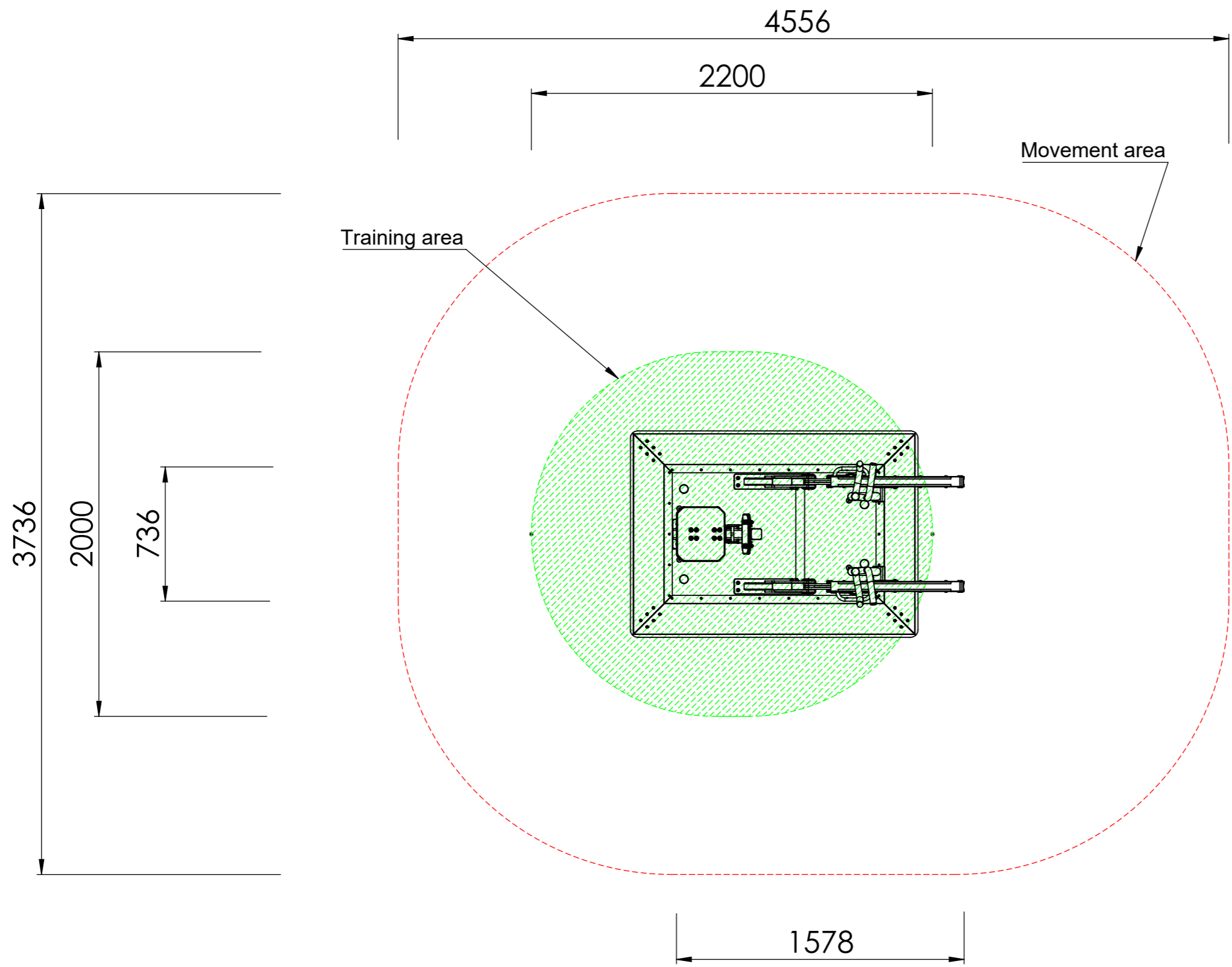
SCALE:1:15

A3 Sheet 1 of 3

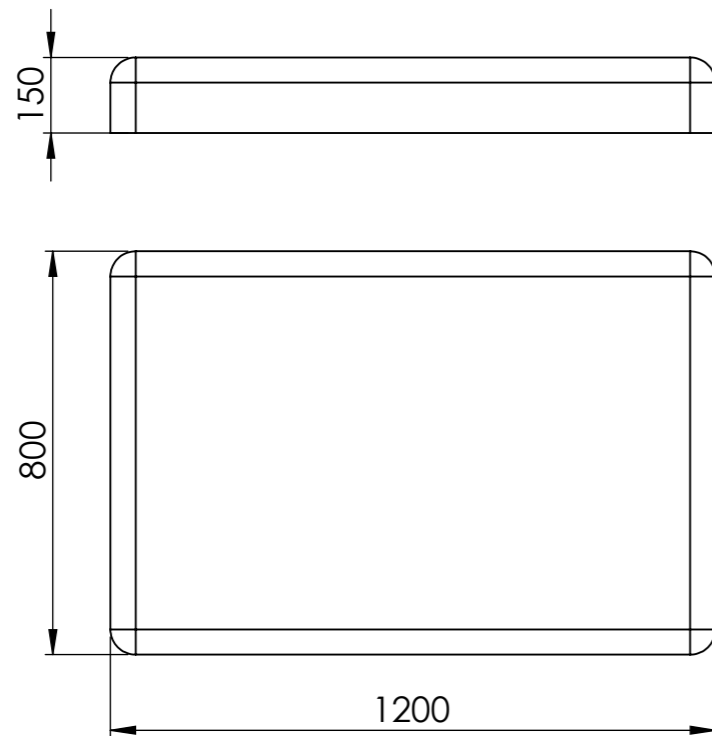
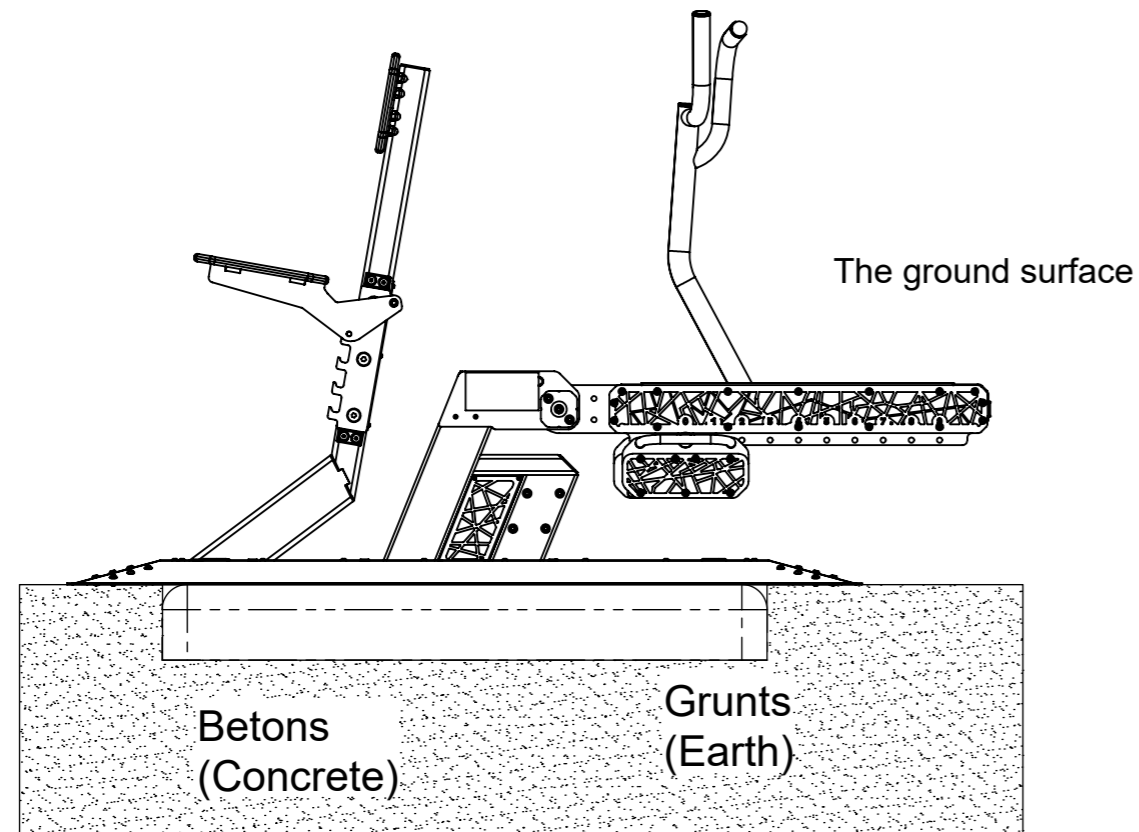
Mass 219.08

Rev A00

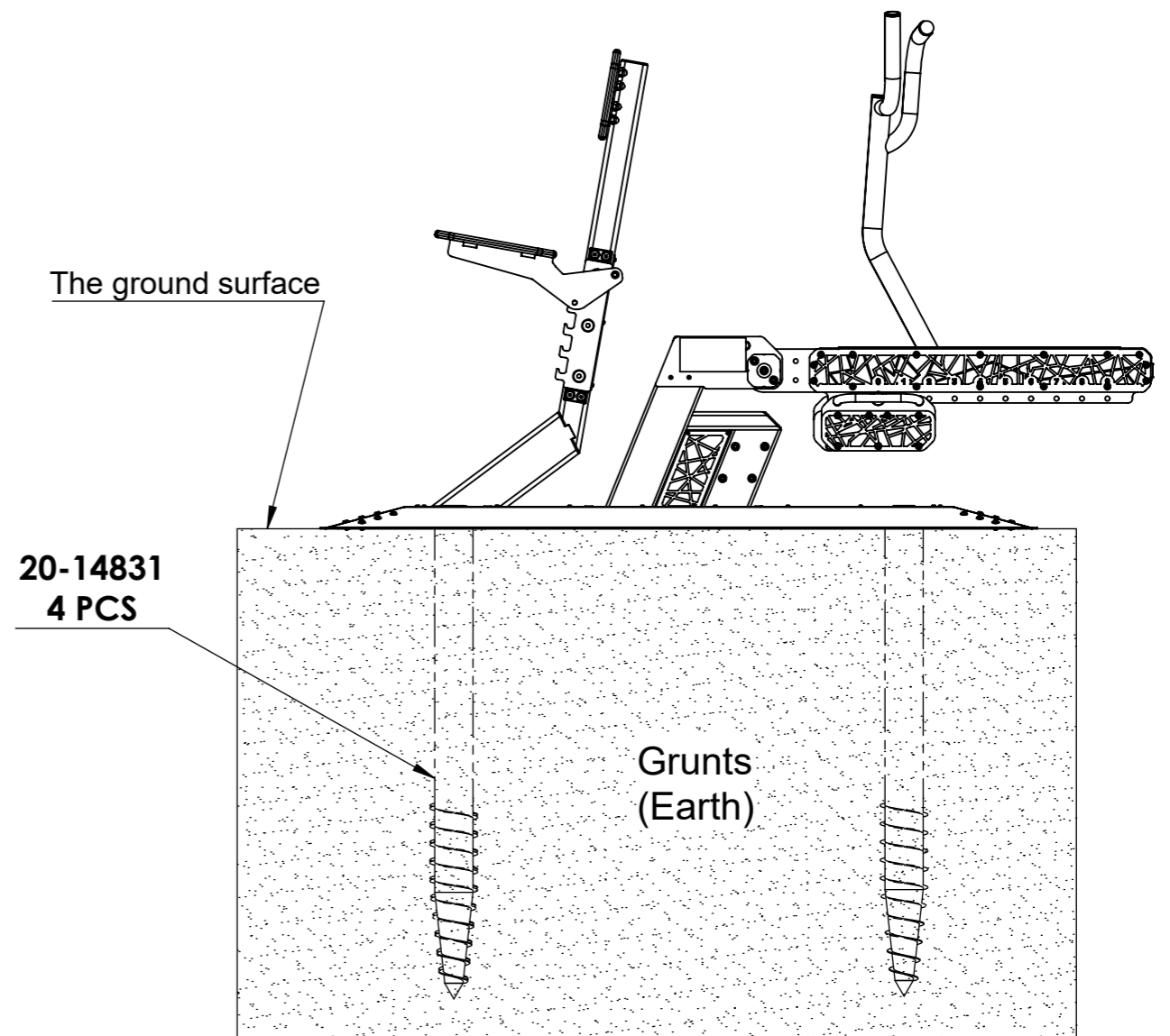
22.07.2024



	30-14773	Mass	219.08
		Rev	A00
SCALE:1:25	A3	Sheet 2 of 3	22.07.2024



- The concrete base is not included in the price and must be ordered separately or made at the installation site.



- 20-14831(4 pieces) is not included in the price and must be ordered separately.



30-14773

SCALE:1:15

A3 Sheet 3 of 3

Mass 219.08

Rev A00

22.07.2024