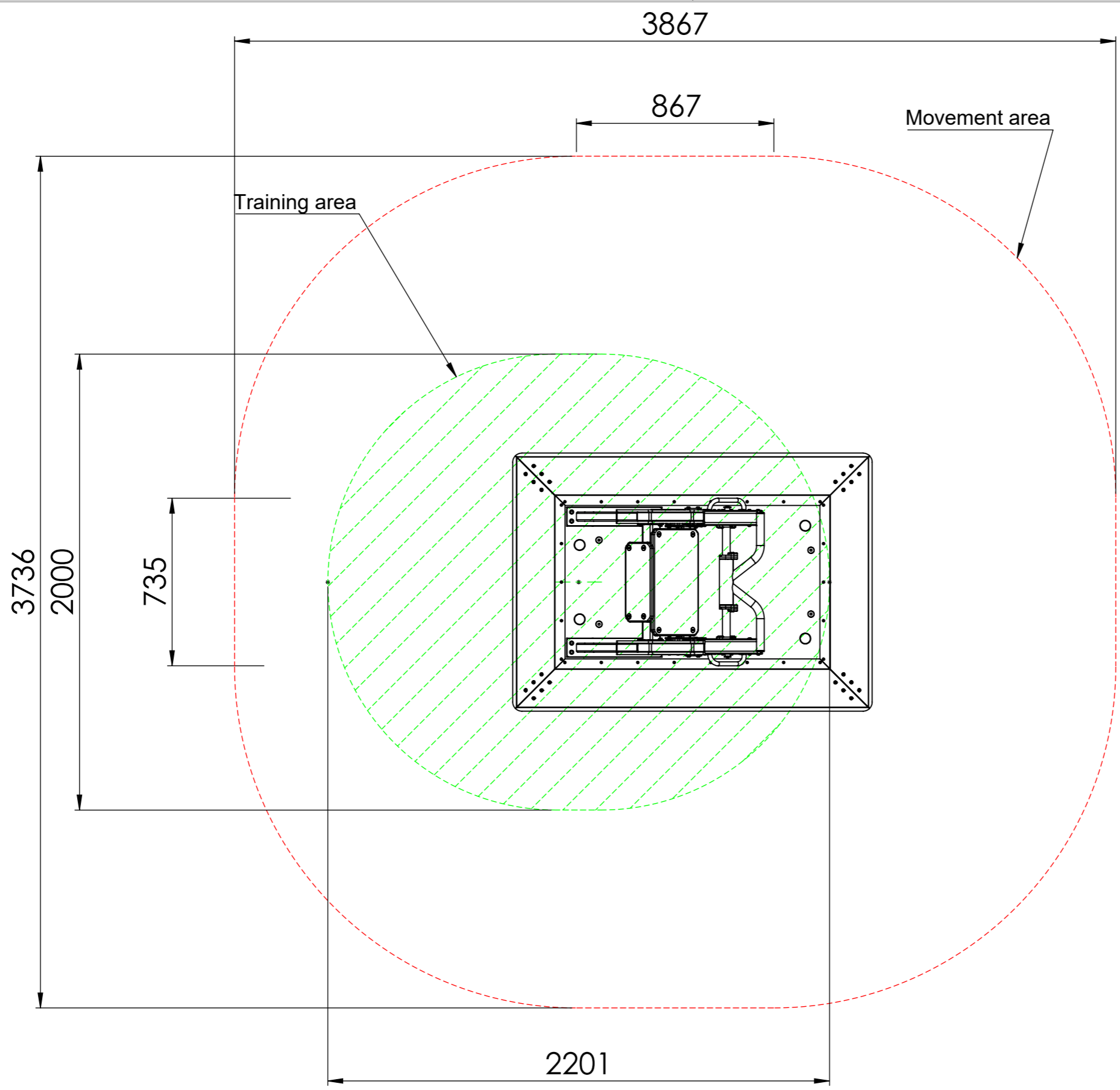


POS.	NUMBER	PCS	NAME	REV.	MATERIAL	CLASS
1	30-14602	1	Bicep Curl OG	A03		MO

	30-14774	Mass	198.73
	SCALE:1:15	Rev	A00
A3		Sheet 1 of 3	31.07.2024

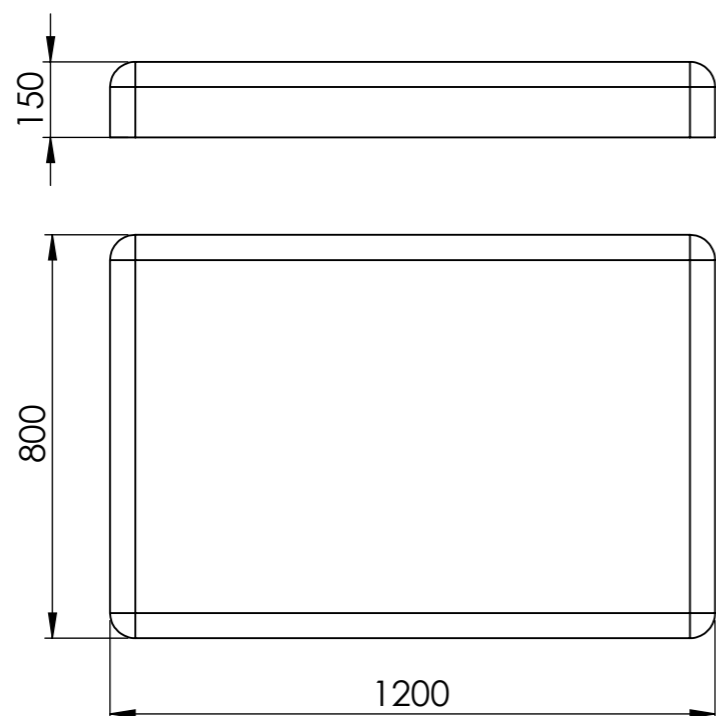
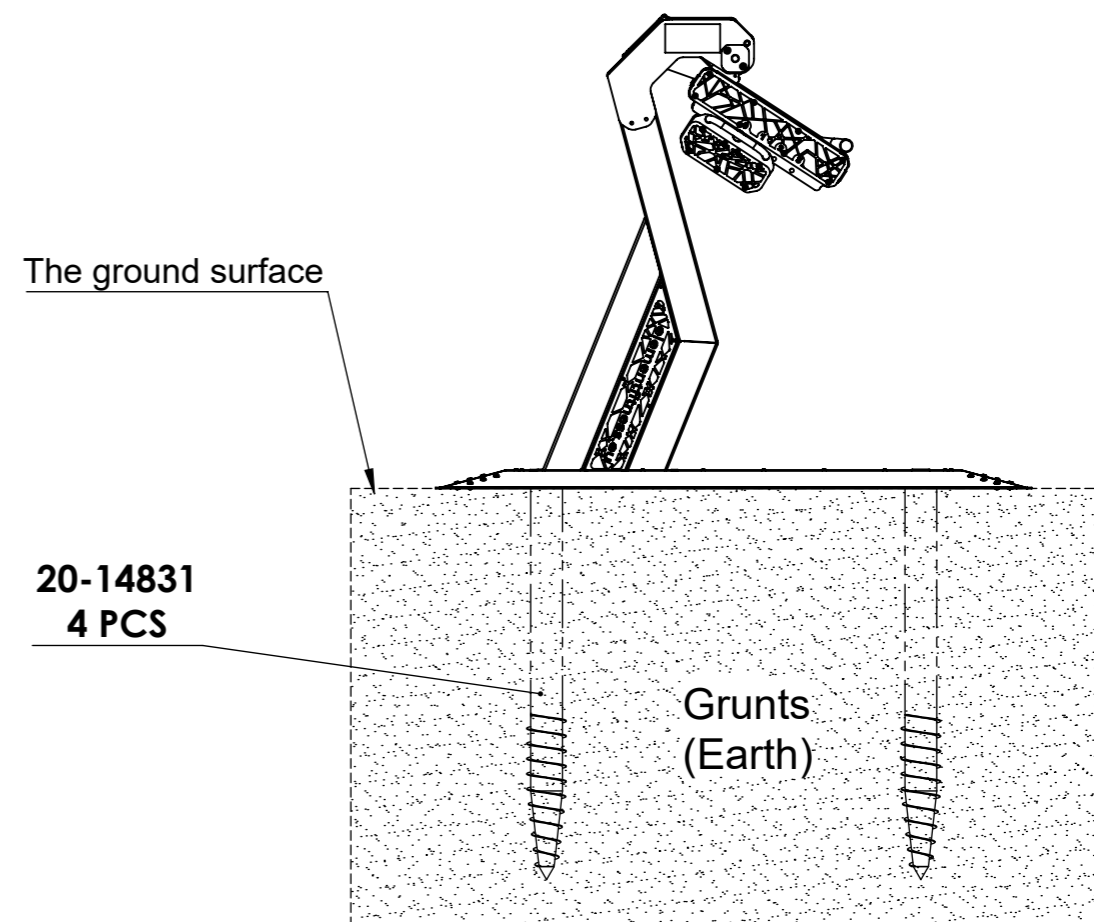
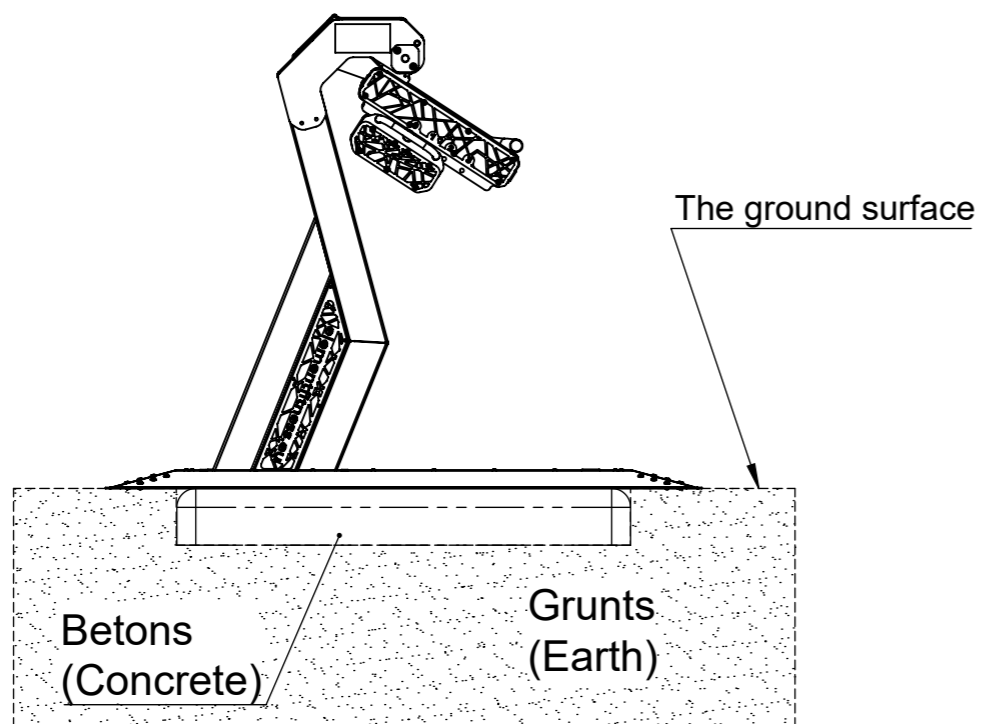


30-14774

SCALE:1:20


A3 Sheet 2 of 3

Mass	198.73
Rev	A00
31.07.2024	



- 20-14831(4 pieces) is not included in the price and must be ordered separately.

- The concrete base is not included in the price and must be ordered separately or made at the installation site.

	30-14774	Mass	198.73
		Rev	A00
SCALE:1:20		A3	Sheet 3 of 3
		31.07.2024	