

POS.	NUMBER	PCS	NAME	REV.	MATERIAL	CLASS
1	30-14660	1	Leg Press OG	A06		MO



30-14775

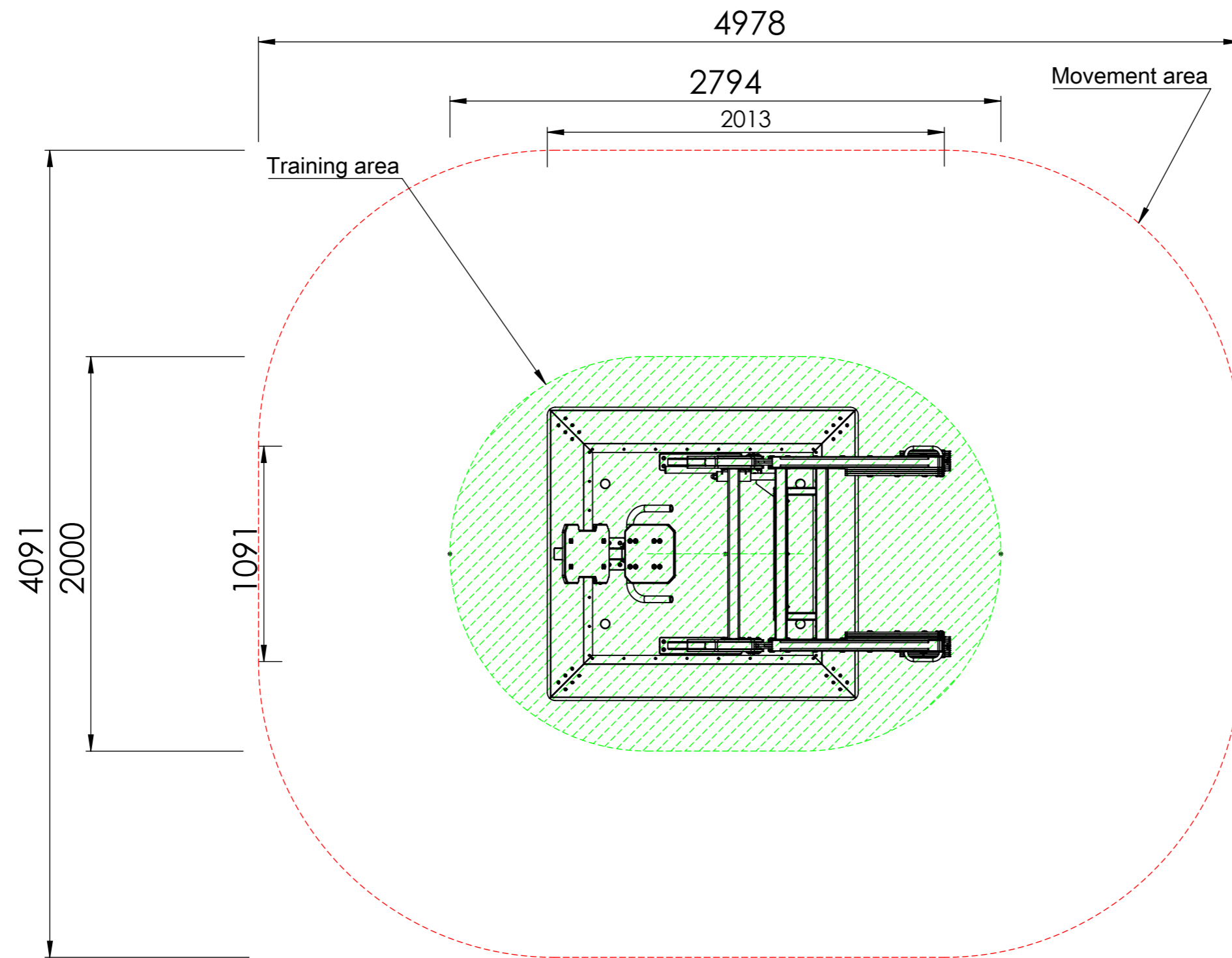
SCALE:1:20

A3 Sheet 1 of 3

Mass 389.39

Rev A00

20.08.2024



30-14775

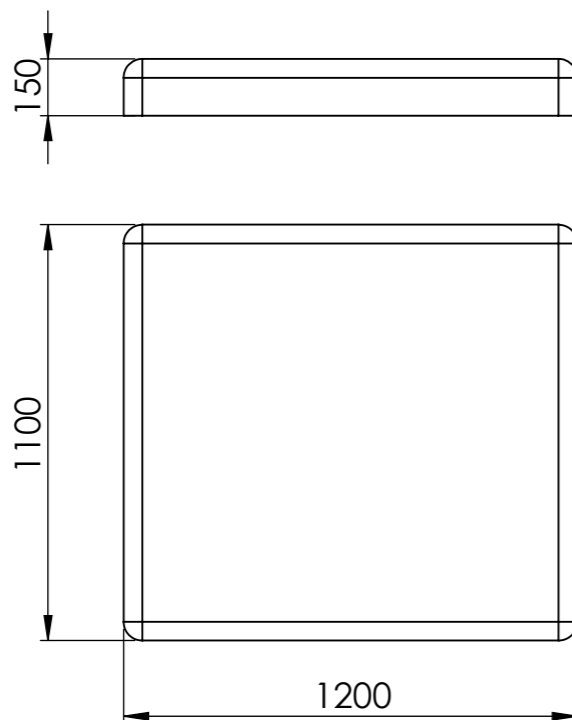
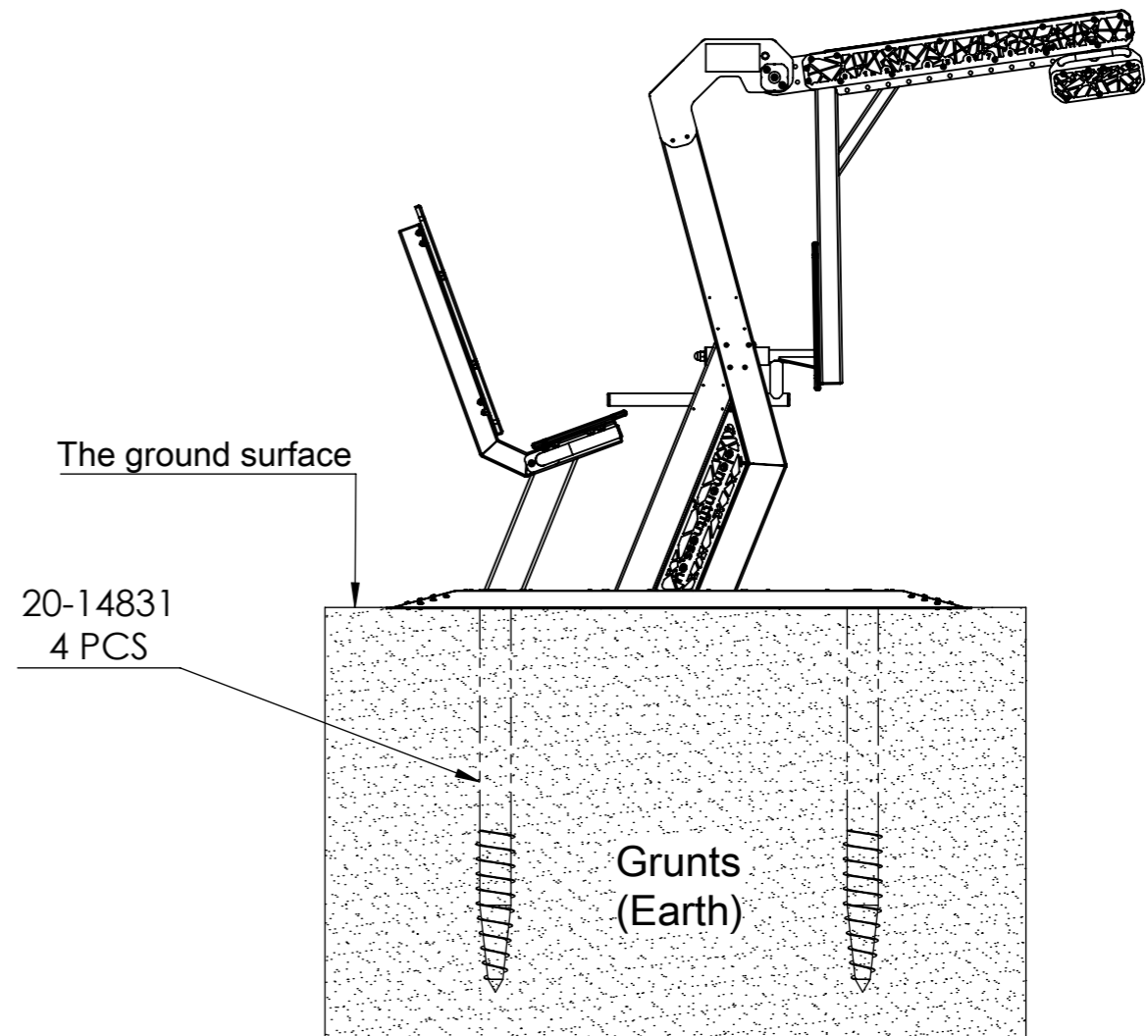
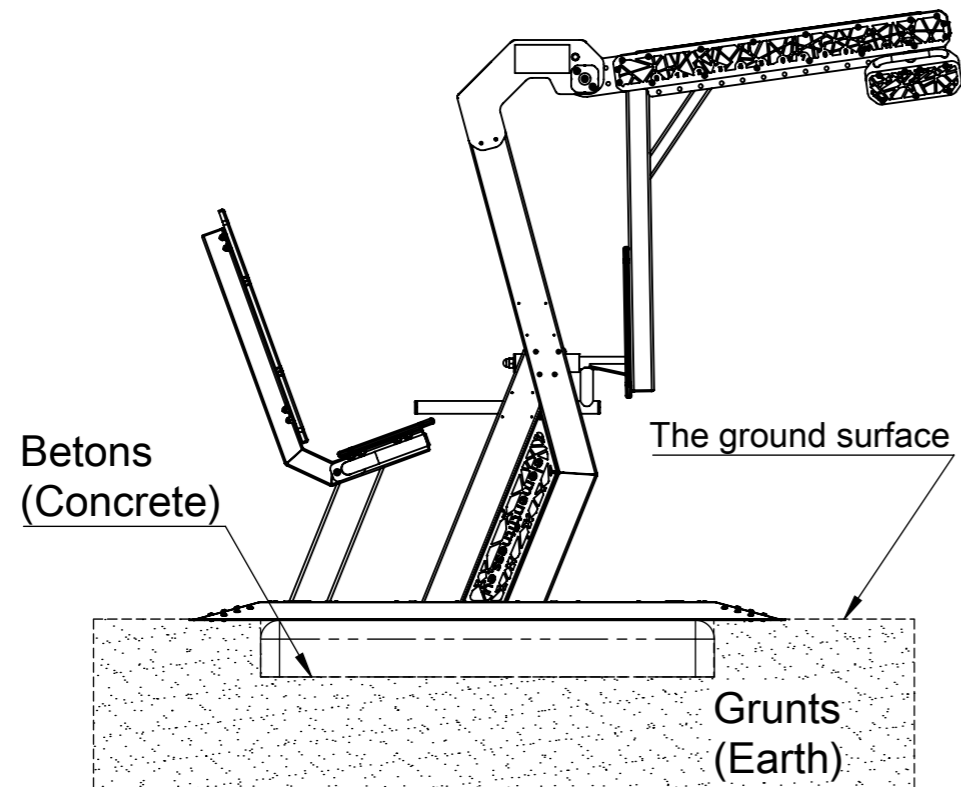
SCALE:1:25

A3 Sheet 2 of 3

Mass 389.39


Rev A00

20.08.2024



- 20-14831(4 pieces) is not included in the price and must be ordered separately.

- The concrete base is not included in the price and must be ordered separately or made at the installation site.

	30-14775	Mass	389.39
		Rev	A00
SCALE:1:20	A3	Sheet 3 of 3	20.08.2024